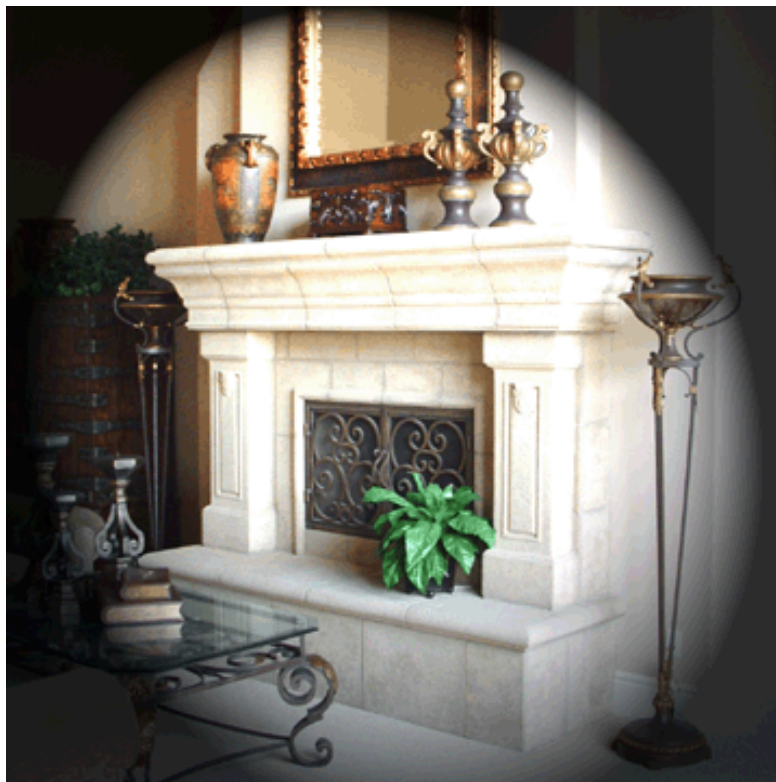


FIREPLACE SURROUNDS

SECTION 11

Lite Stone Concrete offers a wide selection of fireplace surrounds. Our “one piece” surrounds are pre-sized in order to fit and meet the dimensional requirements of “standard zero clearance” metal fire boxes.

In addition, numerous fireplace surrounds are offered in various designs which incorporate adjustable leg heights and mantel lengths. These design and dimension variations enable us to accommodate diverse masonry fireplace opening sizes and site specific conditions.



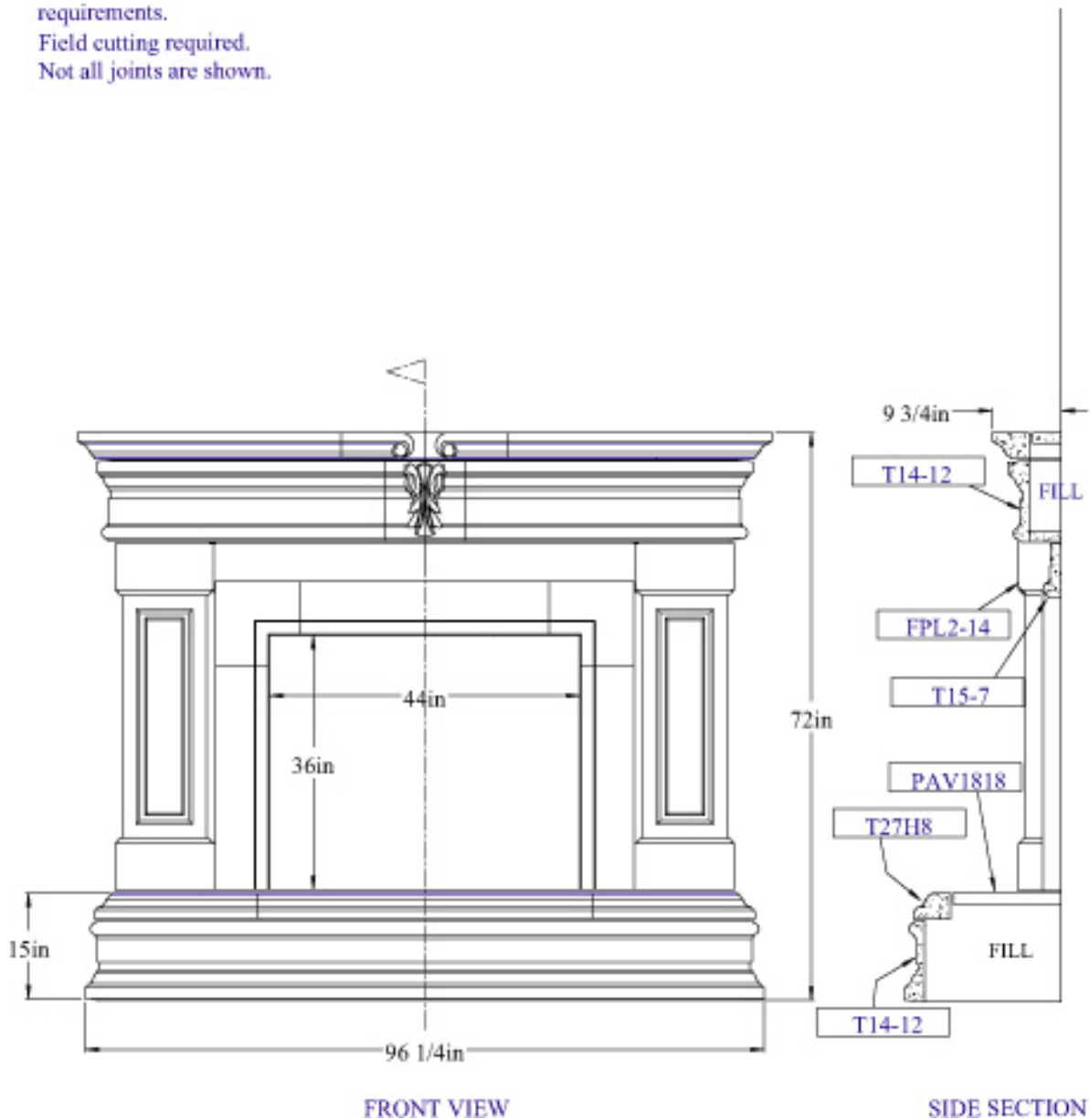
It is important to consider, and include, the height dimension of the hearth detail when measuring for the final fireplace surround and/or when making the mantel size selection.

Lite Stone Concrete welcomes the opportunity to assist you in creating custom styles in order to meet your design requirements.

#1 FIREPLACE SURROUND

Typical Installation

Dimensions shown are for illustration purposes only. Most measurements can be adjusted to meet your requirements.
Field cutting required.
Not all joints are shown.

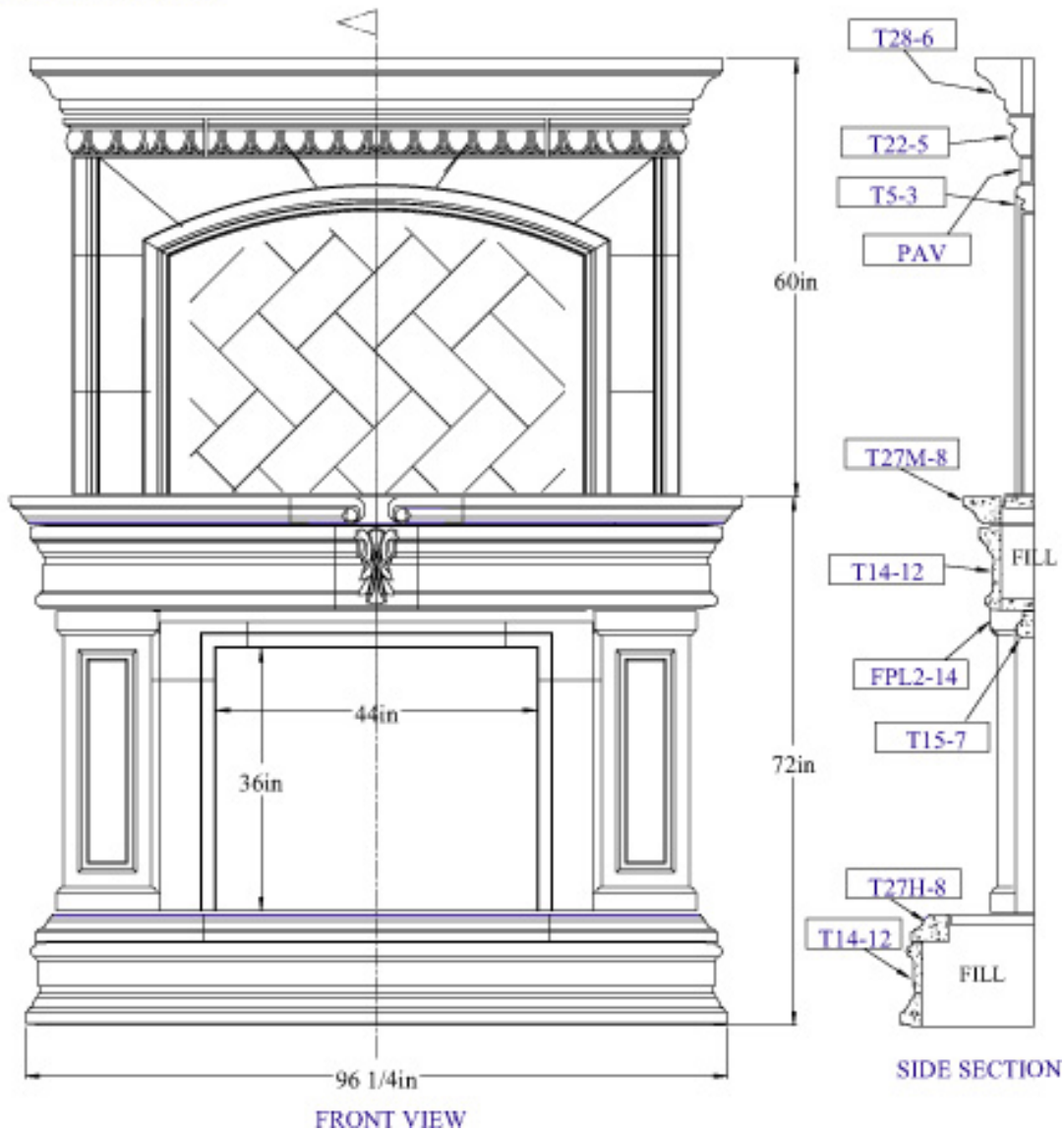


11 - 1

#2 FIREPLACE SURROUND

Typical Installation

Dimensions shown are for illustration purposes only. Most measurements can be adjusted to meet your requirements.
 Field cutting required.
 Not all joints are shown.



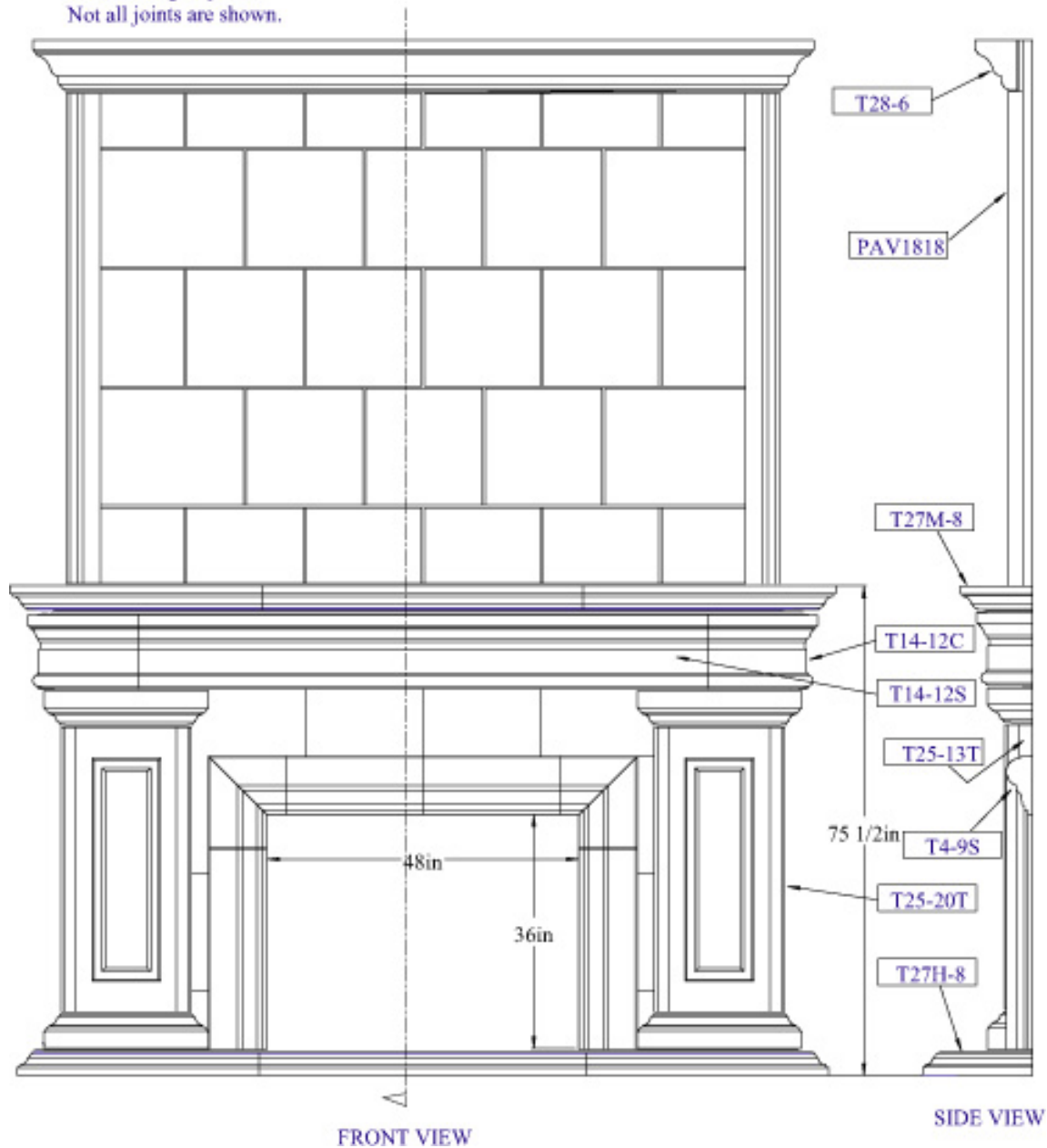
11 - 2

#3 FIREPLACE SURROUND

Typical Installation

Dimensions shown are for illustration purposes only. Most measurements can be adjusted to meet your requirements.

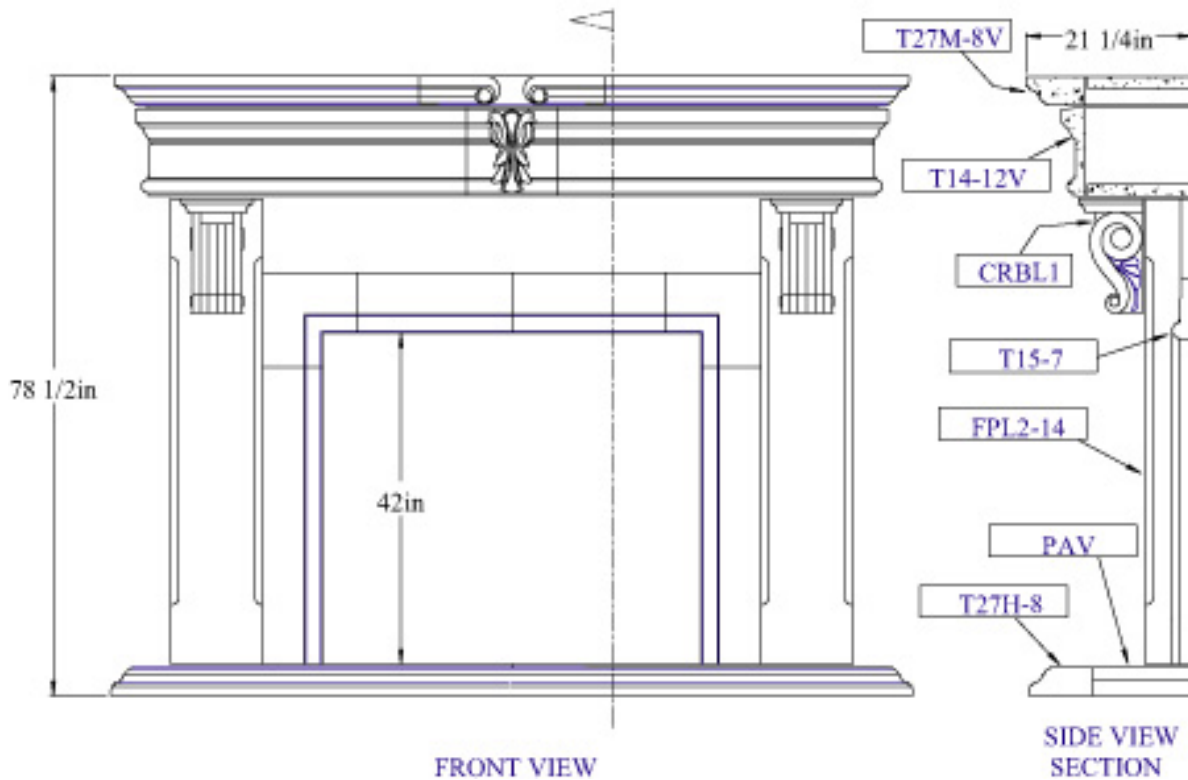
Field cutting required.
 Not all joints are shown.



**#4 FIREPLACE
 SURROUND**

Typical Installation

Dimensions shown are for illustration purposes only. Most measurements can be adjusted to meet your requirements.
 Field cutting required.
 Not all joints are shown.



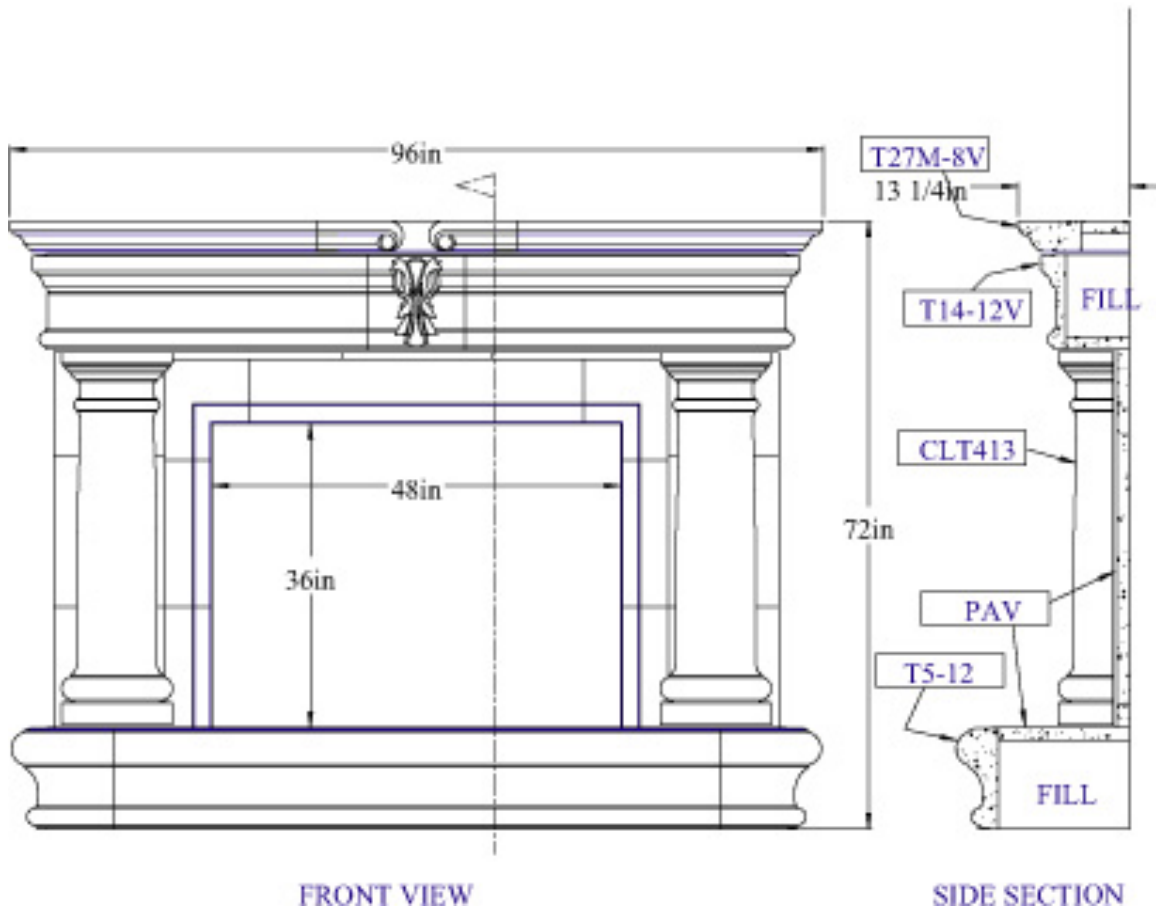
11 - 4

#5 FIREPLACE SURROUND

Typical Installation

Dimensions shown are for illustration purposes only. Most measurements can be adjusted to meet your requirements.

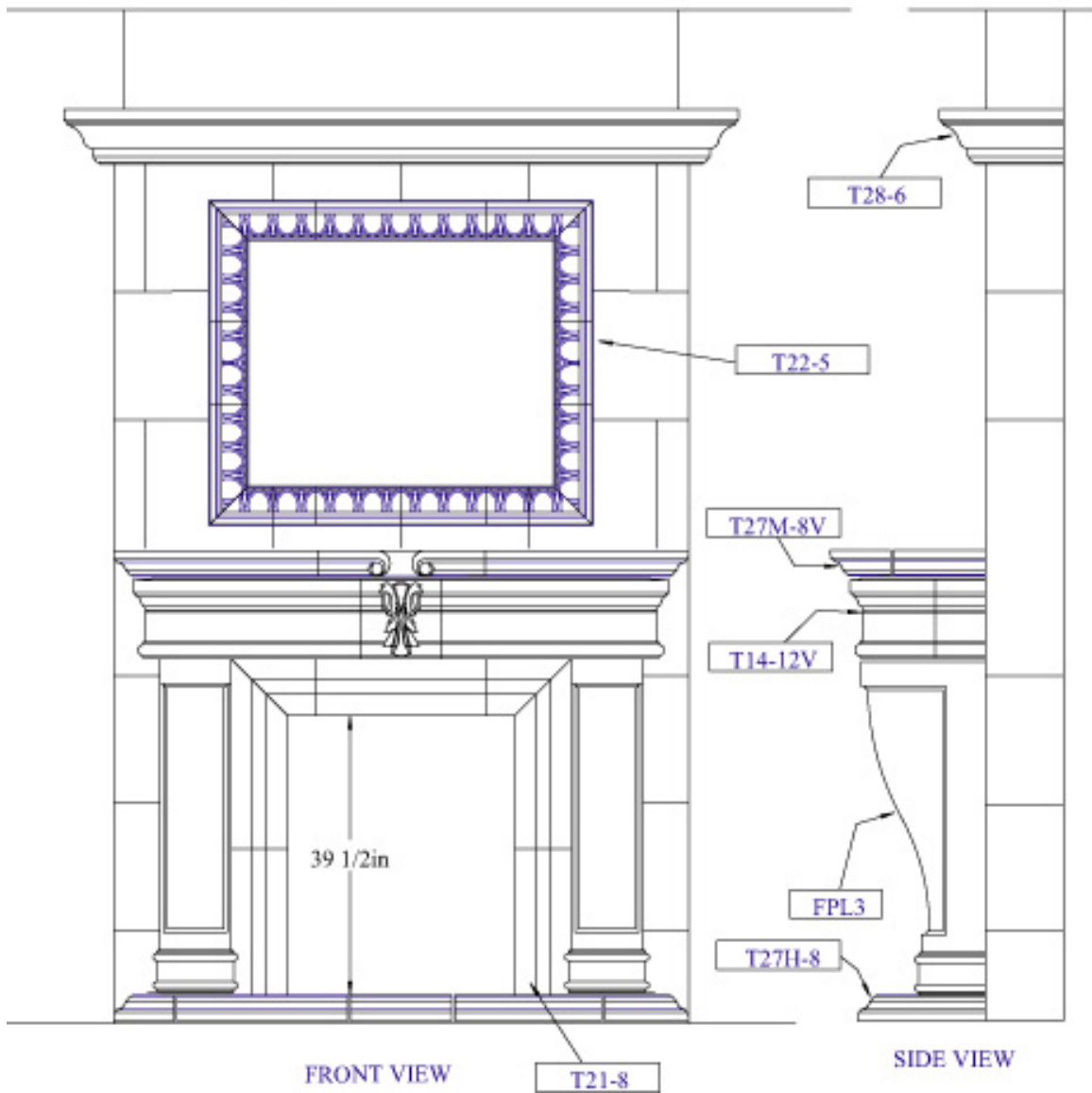
Field cutting required.
Not all joints are shown.



#6 FIREPLACE SURROUND

Typical Installation

Dimensions shown are for illustration purposes only. Most measurements can be adjusted to meet your requirements.
Field cutting required.
Not all joints are shown.

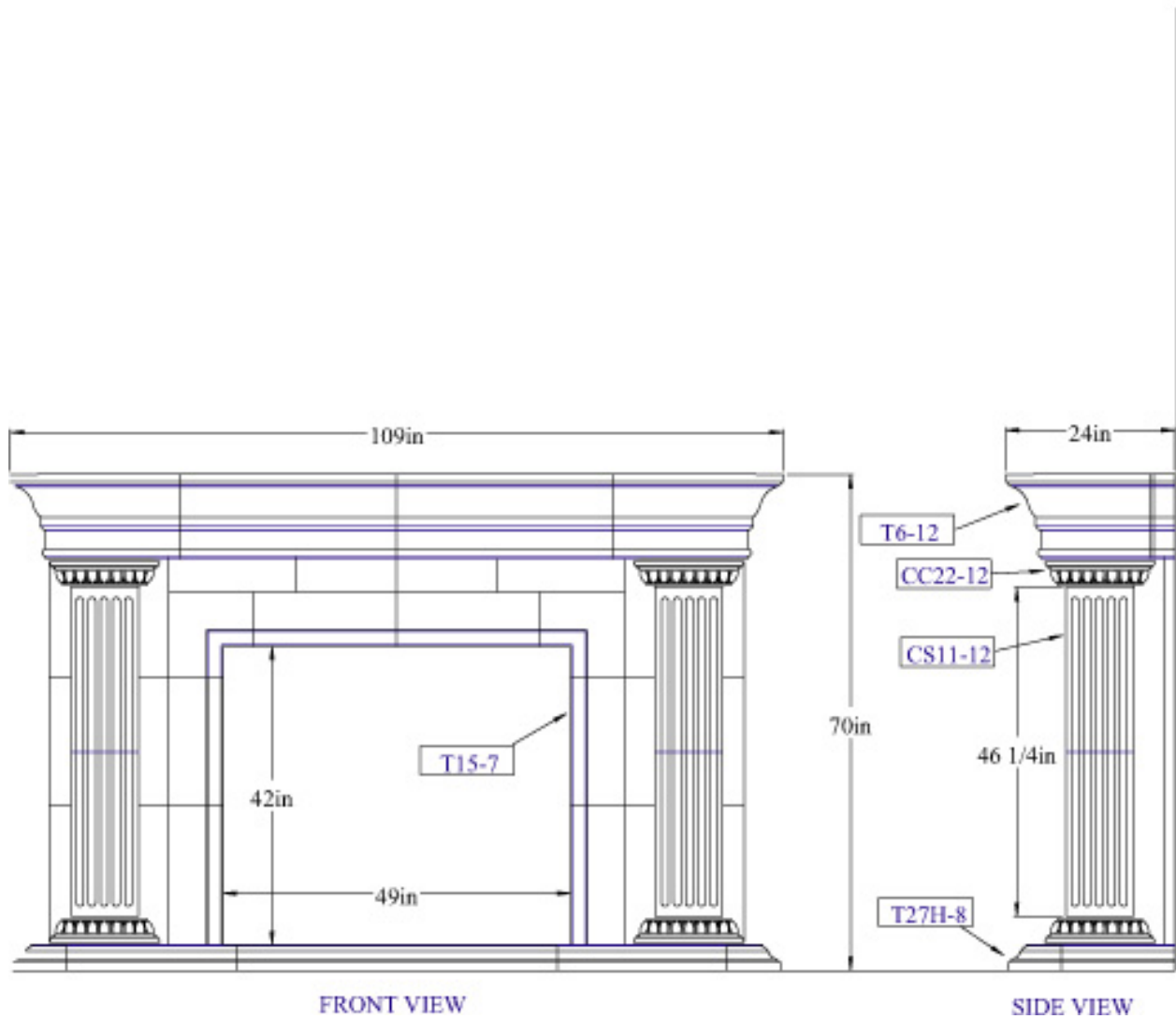


11 - 6

**#7 FIREPLACE
 SURROUND**

Typical Installation

Dimensions shown are for illustration purposes only. Most measurements can be adjusted to meet your requirements.
 Field cutting required.
 Not all joints are shown.

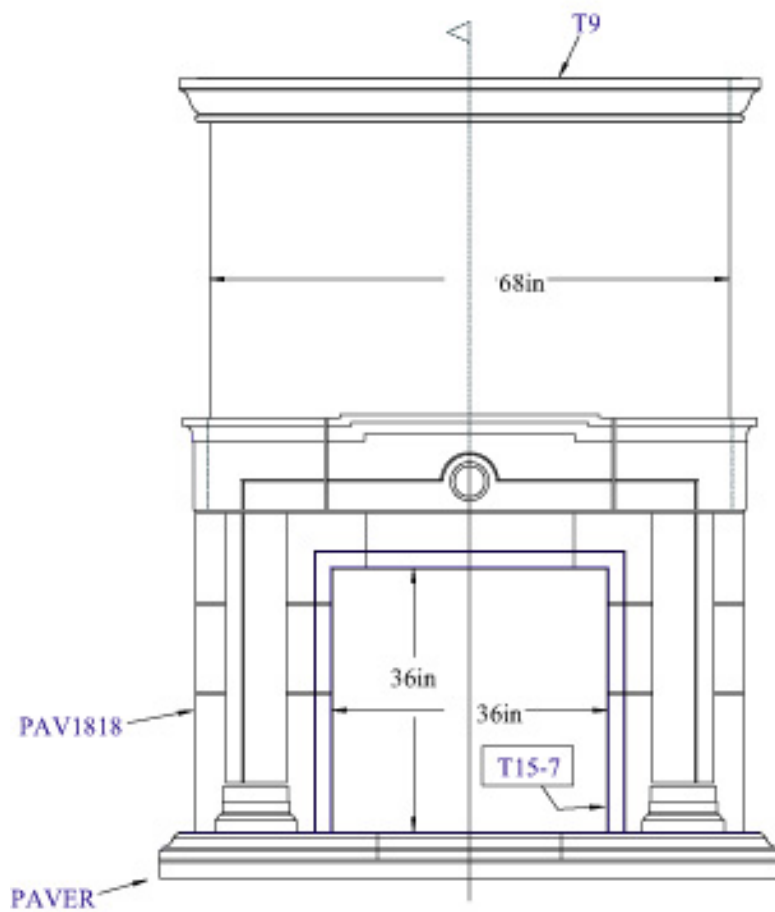


11 - 7

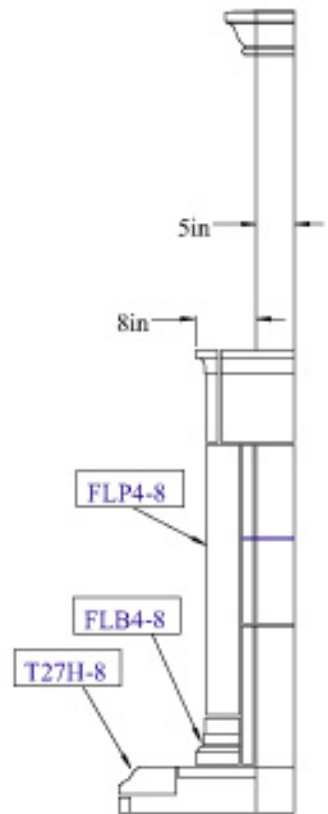
**#8 FIREPLACE
 SURROUND**

Typical Installation

Dimensions shown are for illustration purposes only. Most measurements can be adjusted to meet your requirements.
 Field cutting required.
 Not all joints are shown.



FRONT VIEW



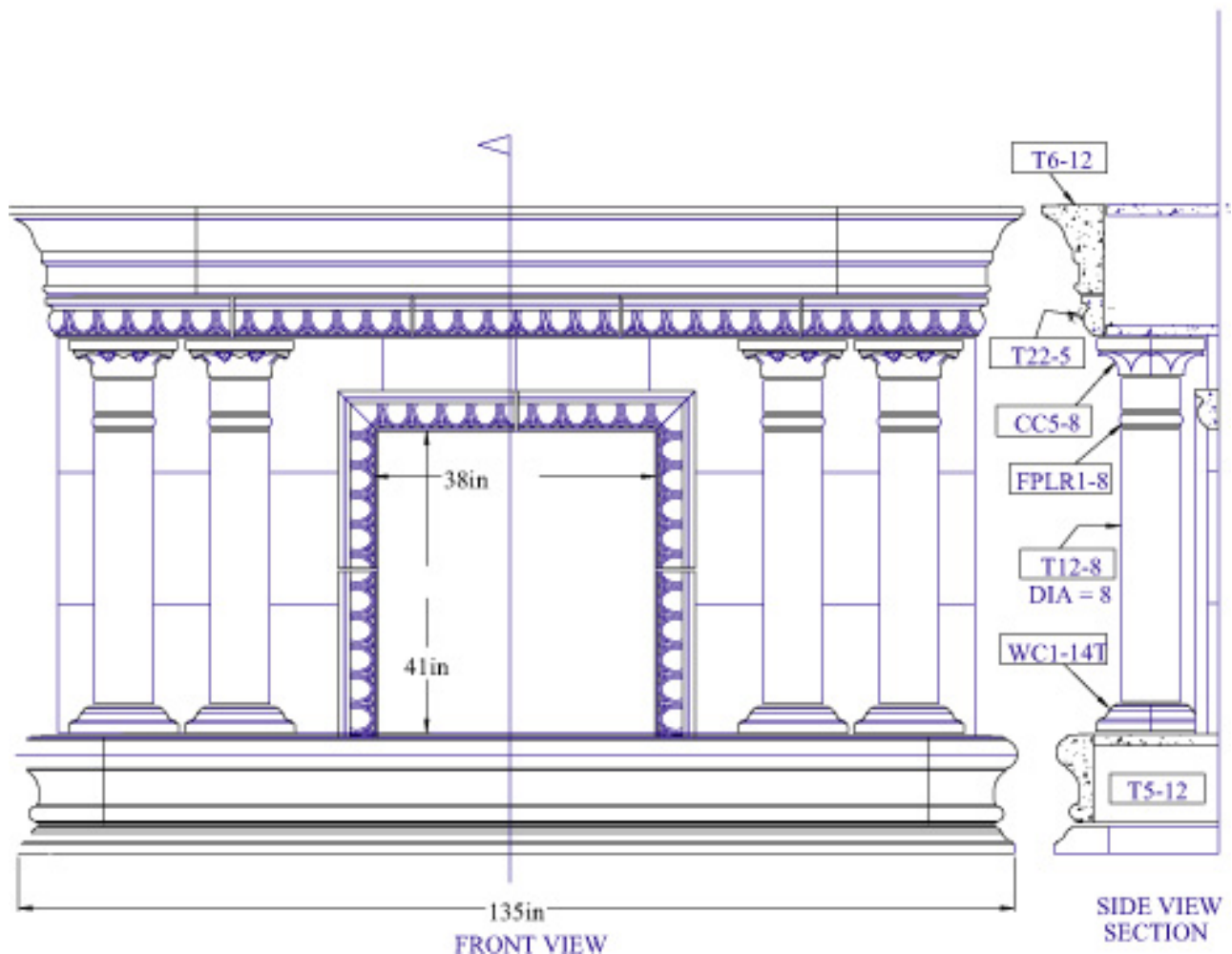
SIDE VIEW

11 - 8

**#9 FIREPLACE
 SURROUND**

Typical Installation

Dimensions shown are for illustration purposes only. Most measurements can be adjusted to meet your requirements.
 Field cutting required.
 Not all joints are shown.



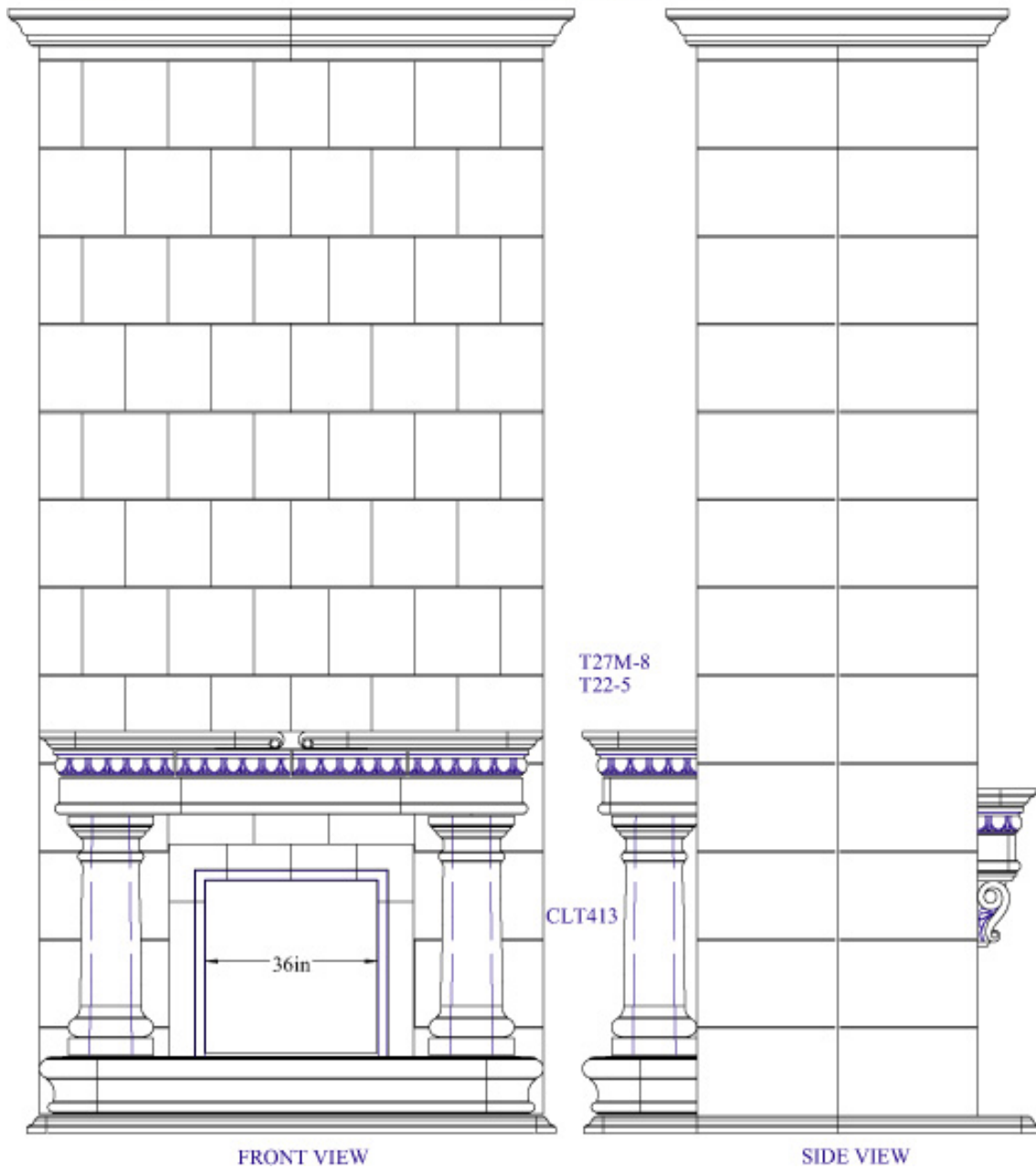
11 - 9

**#10 FIREPLACE
 SURROUND**

Typical Installation

Dimensions shown are for illustration purposes only. Most measurements can be adjusted to meet your requirements

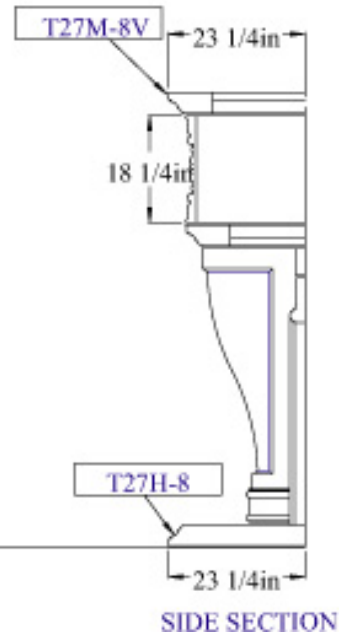
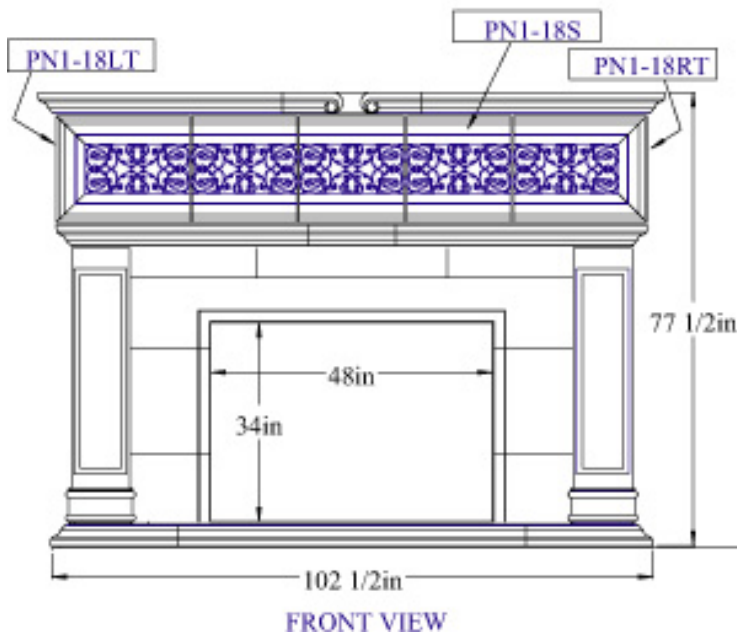
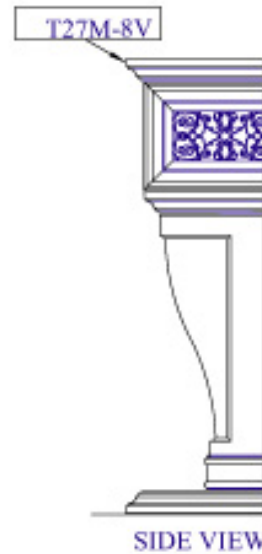
NOTE: Not all mortar joints shown
 Field cutting required.



**#11 FIREPLACE
 SURROUND**

Typical Installation

Dimensions shown are for illustration purposes only. Most measurements can be adjusted to meet your requirements. Field cutting required. Not all joints are shown.



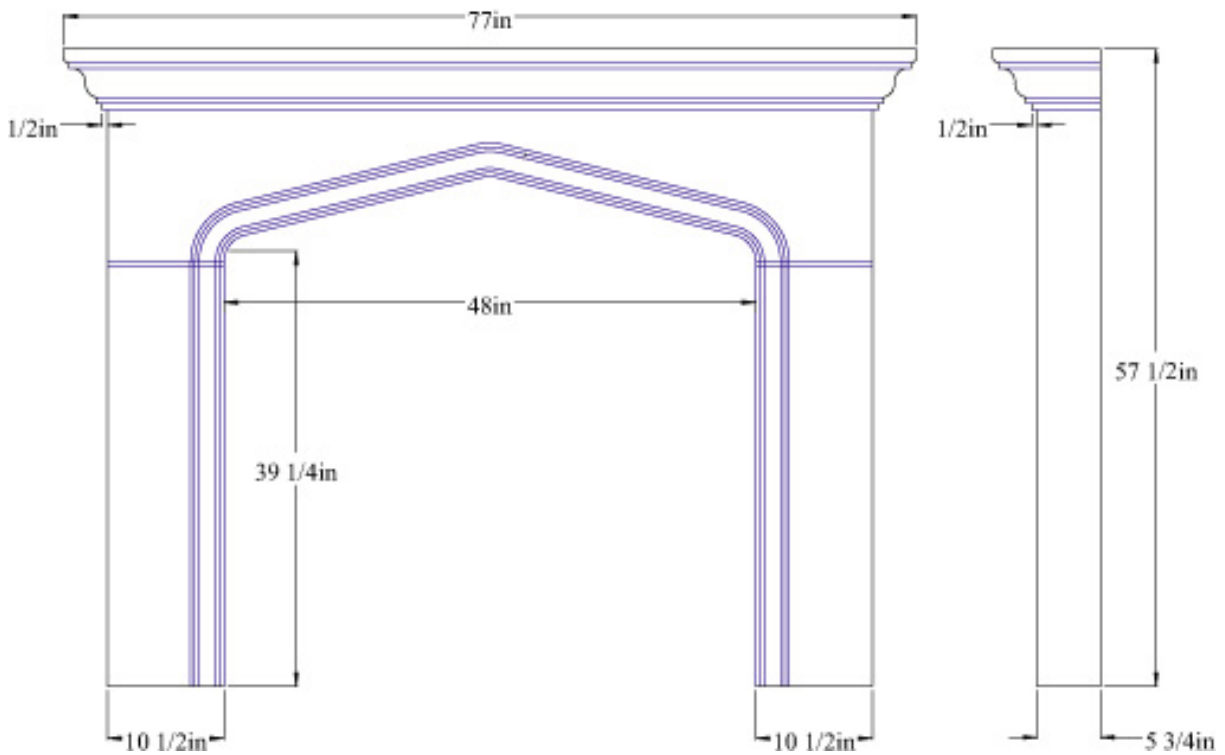
**#12 FIREPLACE
 SURROUND**

Typical Installation

Dimensions shown are for illustration purposes only. Most measurements can be adjusted to meet your requirements.

Field cutting required.

Not all joints are shown.



11 - 12

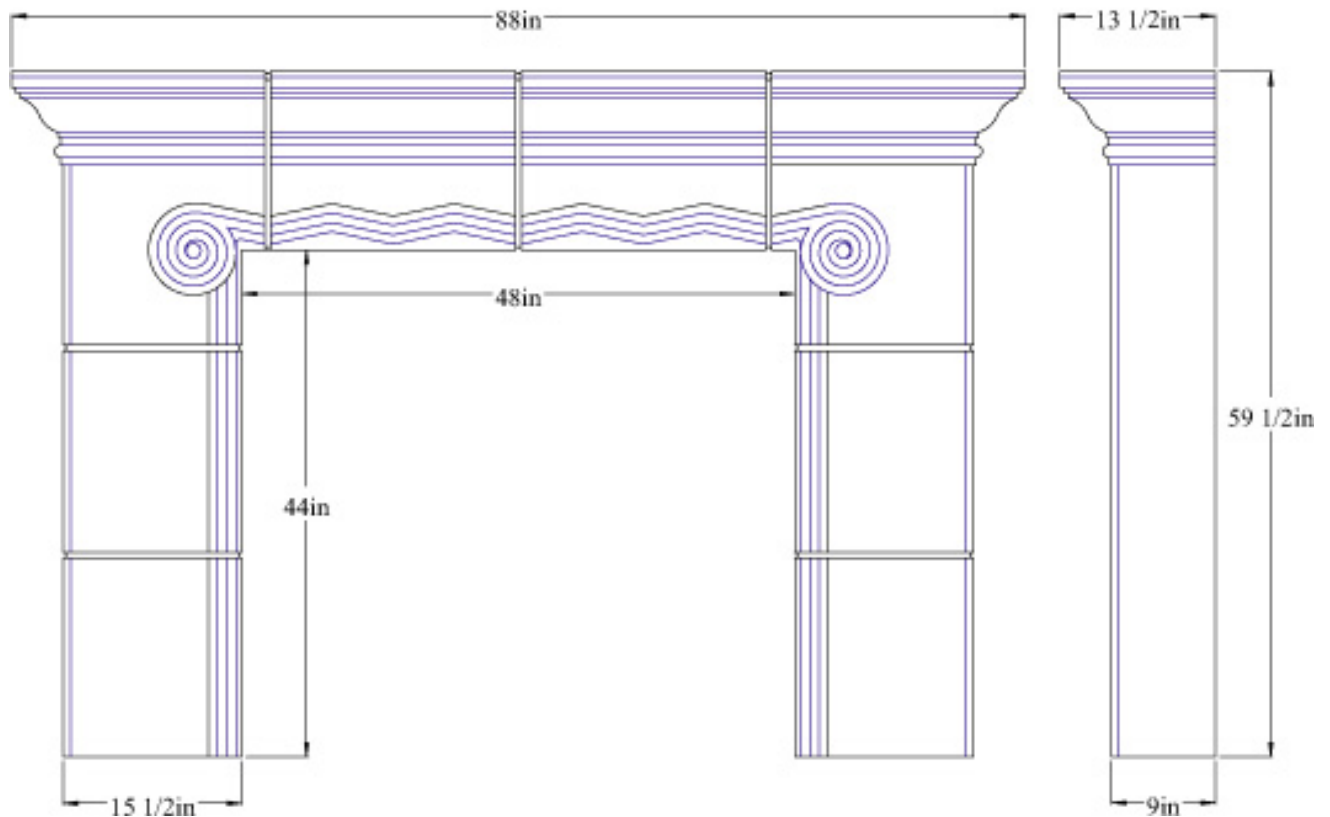
#13 FIREPLACE
SURROUND

Typical Installation

Dimensions shown are for illustration purposes only. Most measurements can be adjusted to meet your requirements.

Field cutting required.

Not all joints are shown.



11 - 13

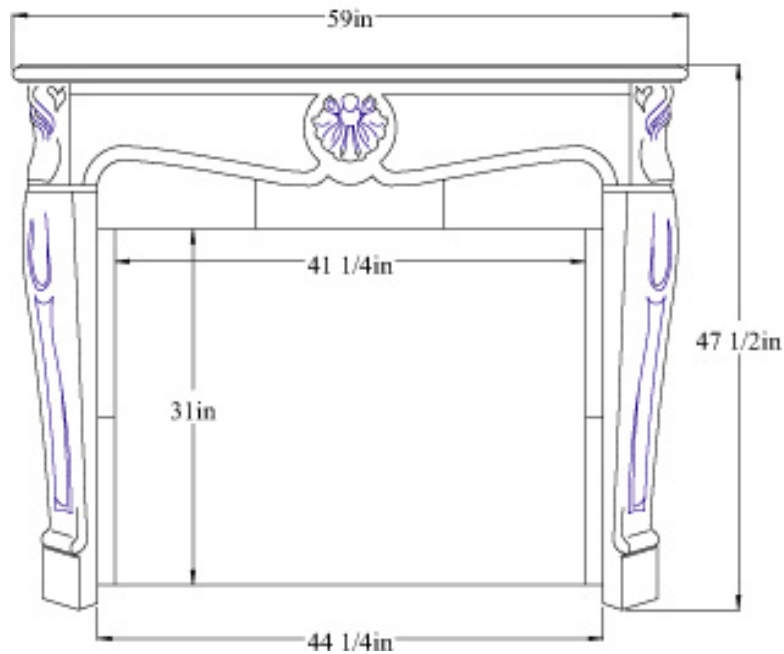
#14 FIREPLACE
SURROUND

Typical Installation

Dimensions shown are for illustration purposes only. Most measurements can be adjusted to meet your requirements.

Field cutting required.

Not all joints are shown.



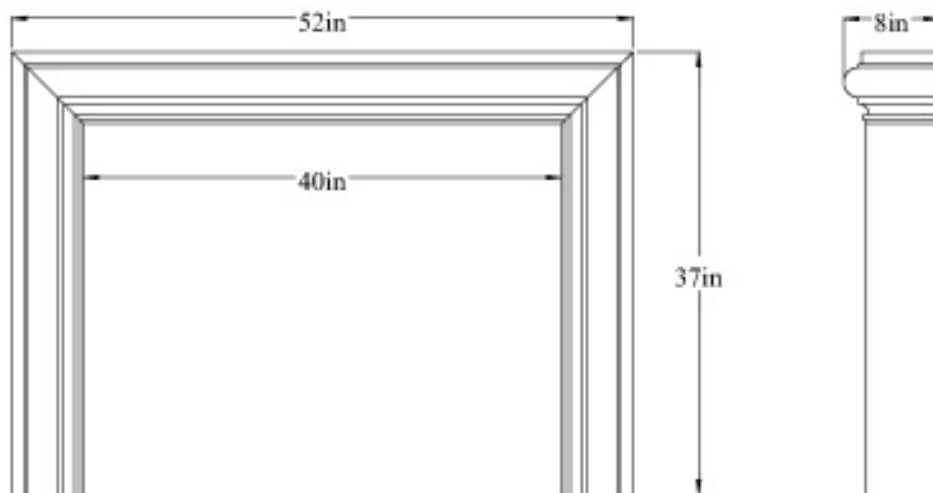
11 - 14

#15 FIREPLACE
SURROUND

Typical Installation

Dimensions shown are for illustration purposes only. Most measurements can be adjusted to meet your requirements.

Field cutting required.
Not all joints are shown.



11 - 15

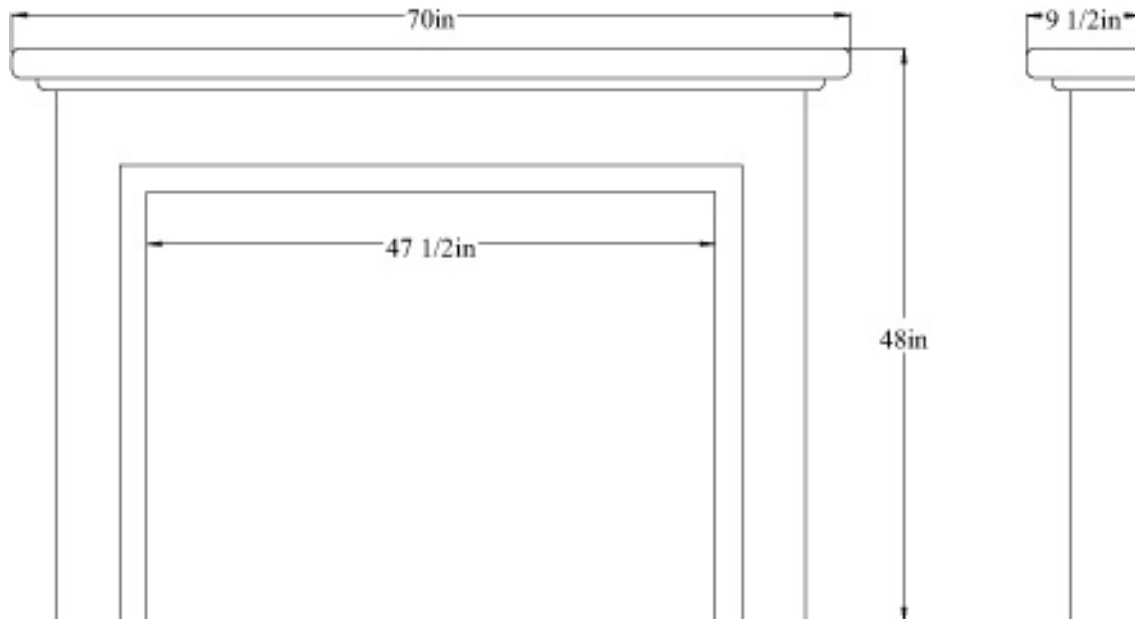
#16 FIREPLACE
SURROUND

Typical Installation

Dimensions shown are for illustration purposes only. Most measurements can be adjusted to meet your requirements.

Field cutting required.

Not all joints are shown.



11 - 16

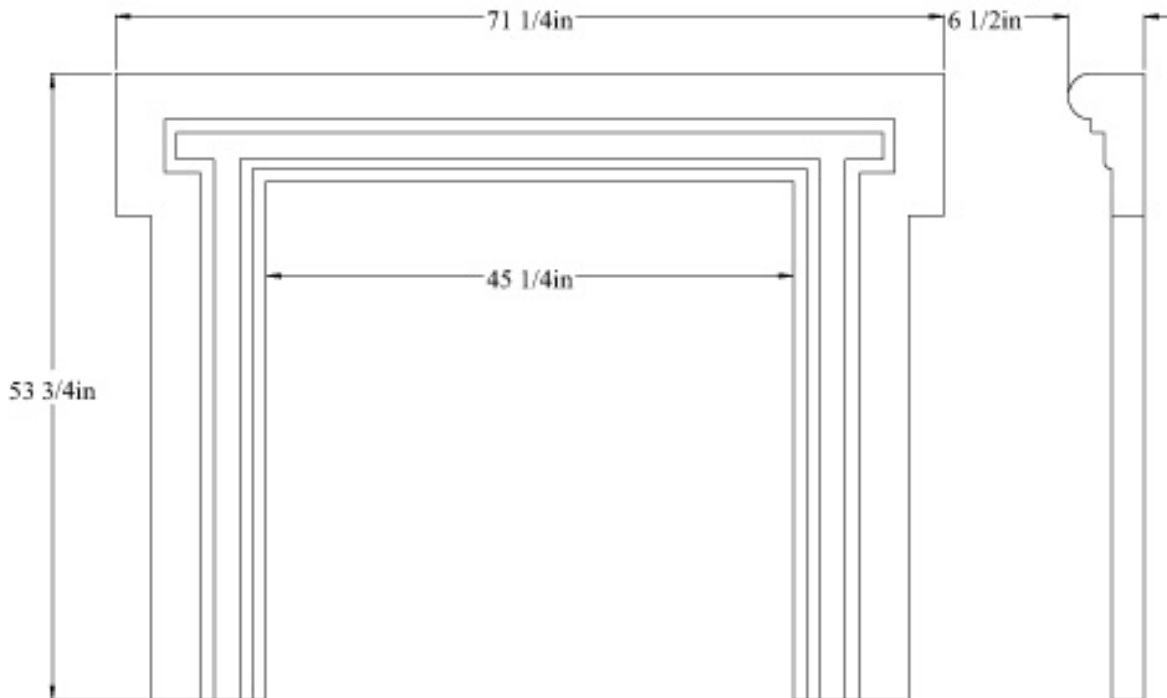
#17 FIREPLACE
SURROUND

Typical Installation

Dimensions shown are for illustration purposes only. Most measurements can be adjusted to meet your requirements.

Field cutting required.

Not all joints are shown.



11 - 17

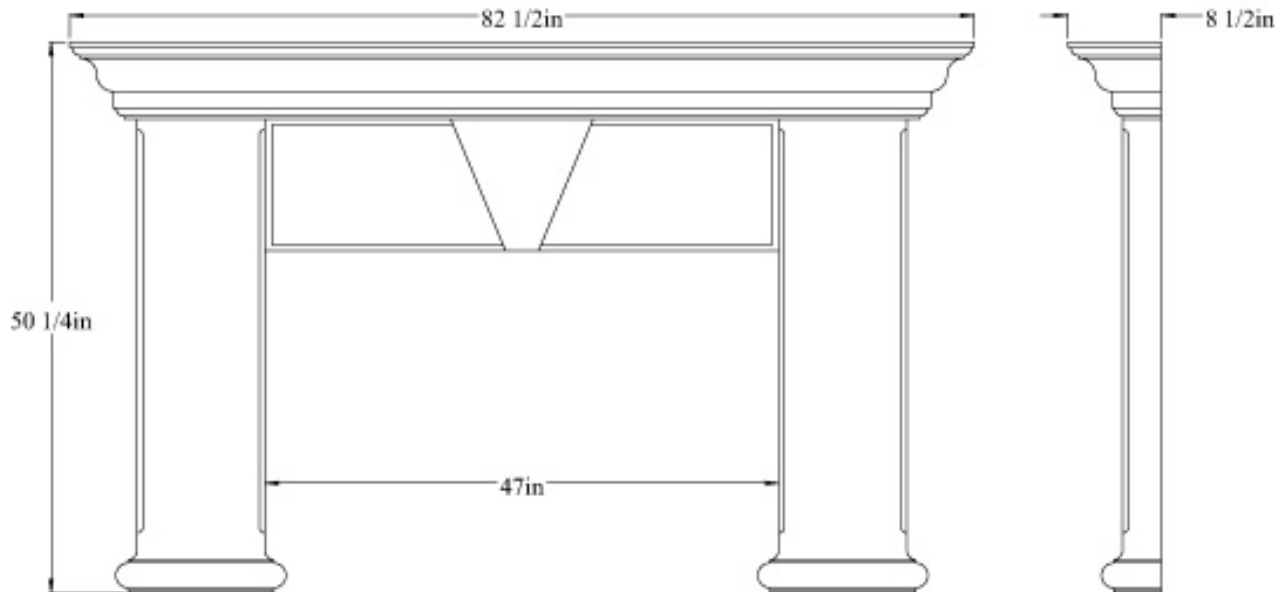
#18 FIREPLACE
SURROUND

Typical Installation

Dimensions shown are for illustration purposes only. Most measurements can be adjusted to meet your requirements.

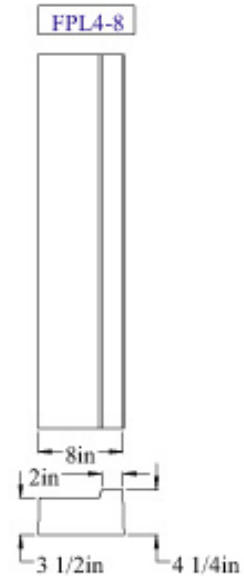
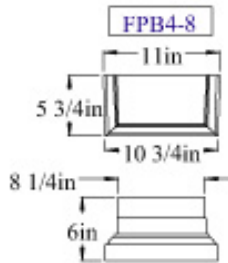
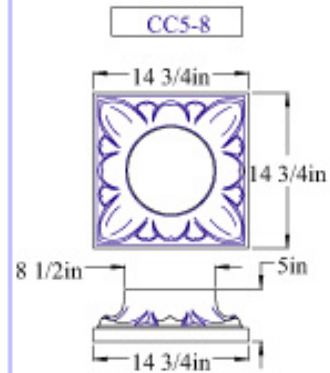
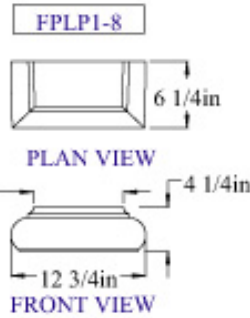
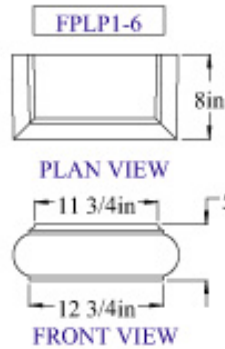
Field cutting required.

Not all joints are shown.

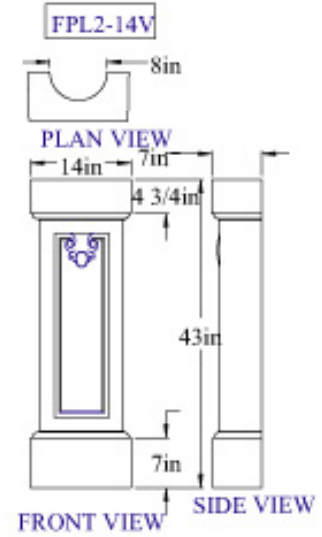
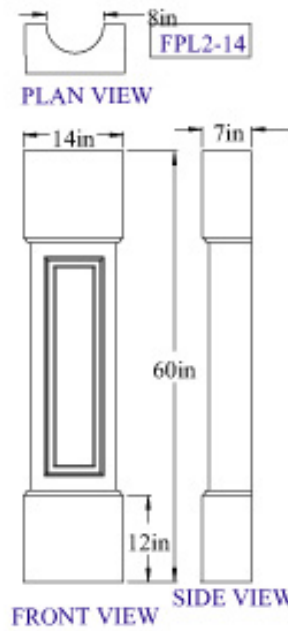
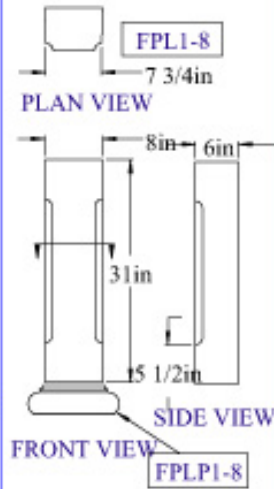
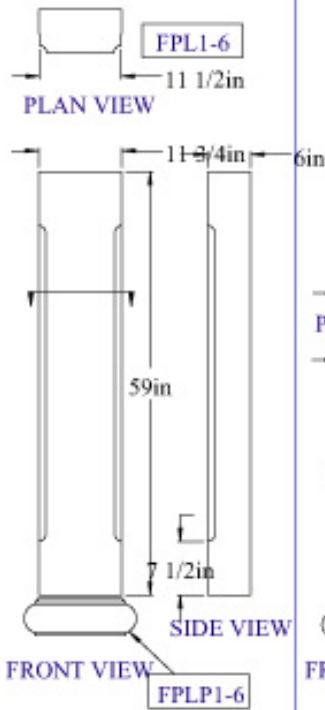
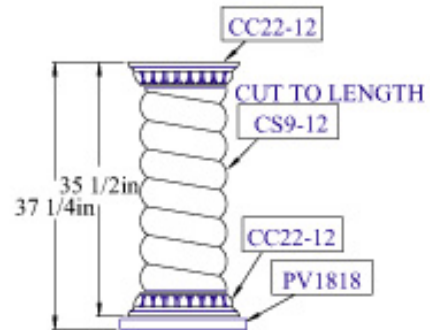
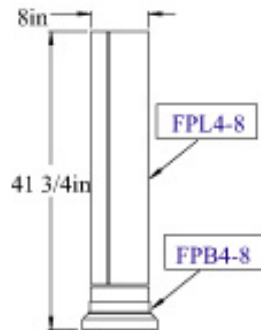
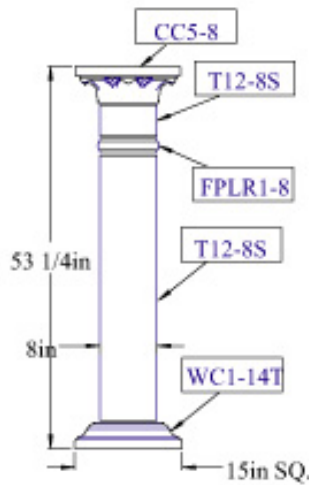


11 - 18

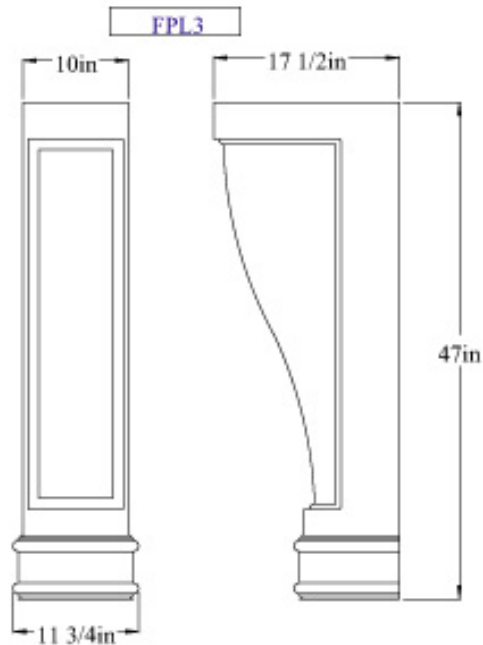
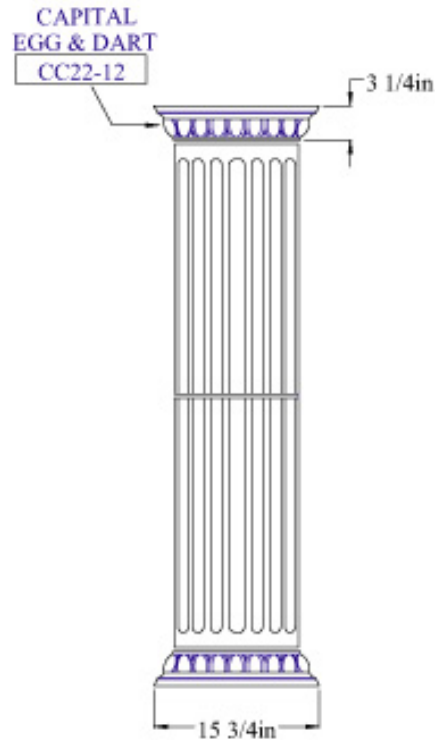
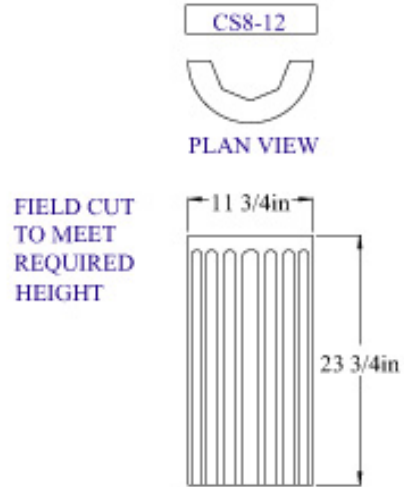
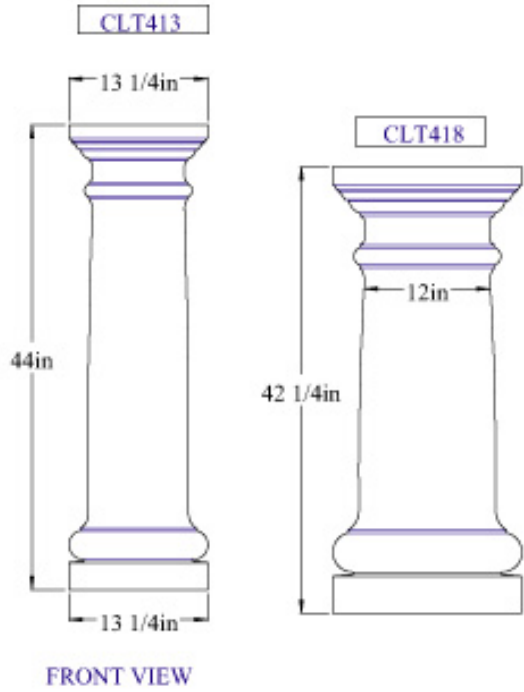
FIREPLACE LEGS



FIREPLACE LEGS



FIREPLACE LEGS



FIREPLACE LEGS

