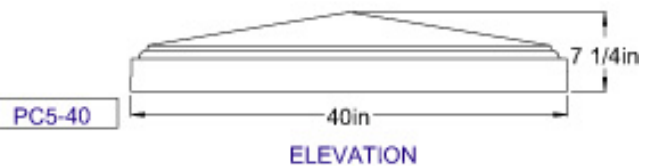
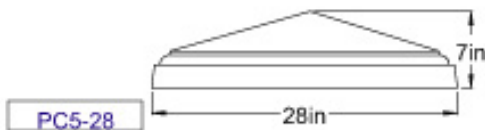
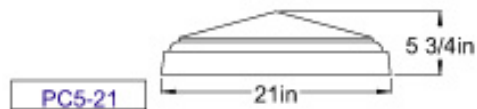
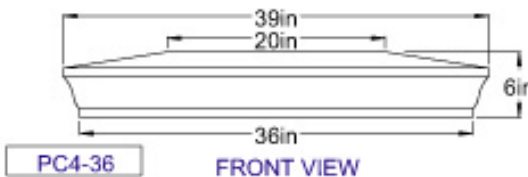
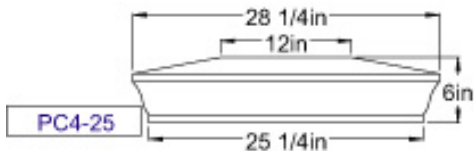
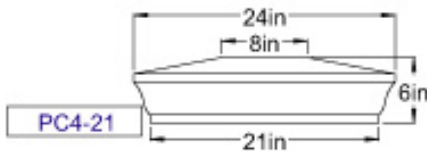
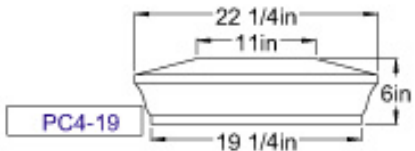
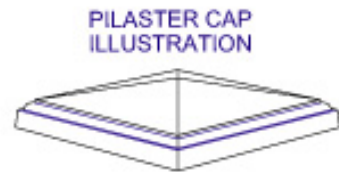
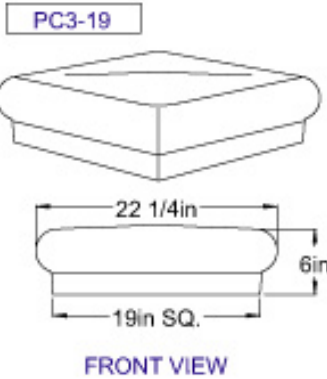


PILASTER CAPS
SECTION 4



Originally, the plinth stone was a continuous course of stone which supported a given wall. On occasion, plinth stones are still utilized as structural members however they generally serve as decorative pieces which only provide the appearance of support at the exterior base of a wall. Plinth stones are sometimes incorrectly referred to as “wainscoting”. A “wainscot” is the term used for an exterior piece which is applied against the base of the wall and which usually extends at least 30 inches upward from the surface of the deck.

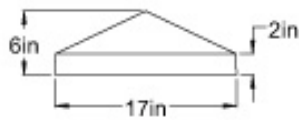
PILASTER CAPS



PILASTER CAPS



TOP VIEW



PC6-13-17
FRONT VIEW



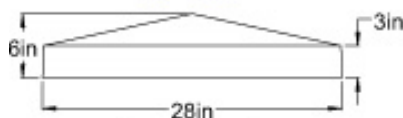
TOP VIEW



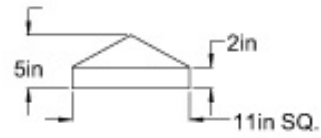
PC6-13-24
FRONT VIEW



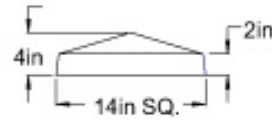
TOP VIEW



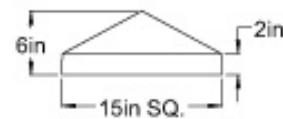
PC6-16-28
FRONT VIEW



PC6-11



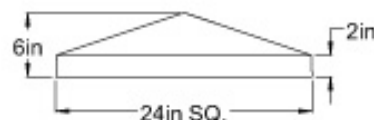
PC6-14



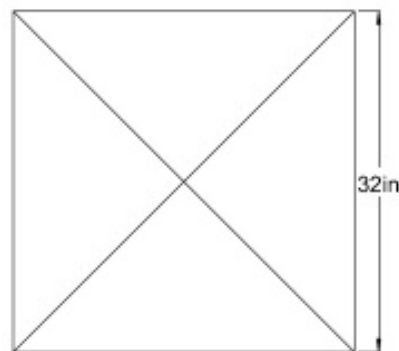
PC6-15



PC6-16



PC6-24
FRONT VIEW



TOP VIEW



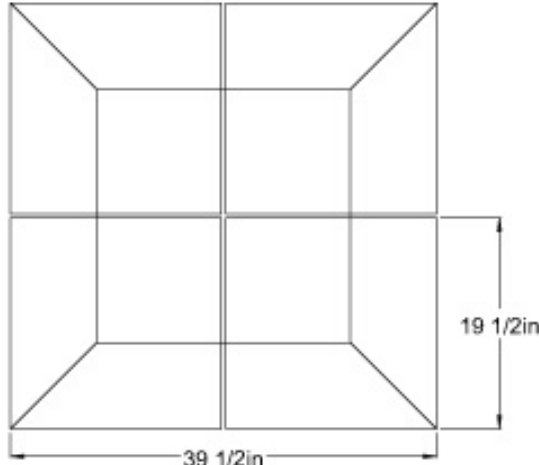
PC6-32
FRONT VIEW

PILASTER CAPS

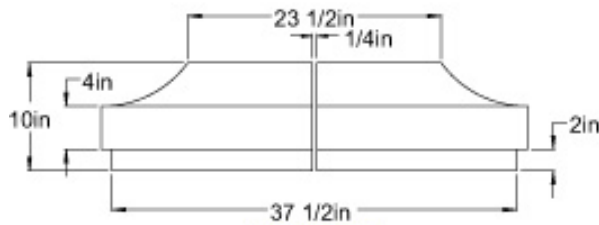


AUXILIARY VIEW

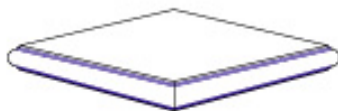
PC7-37
4 PIECE PILASTER CAP



PLAN VIEW



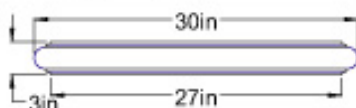
ELEVATION



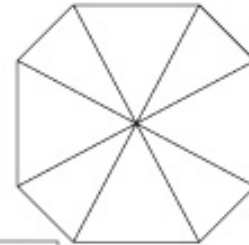
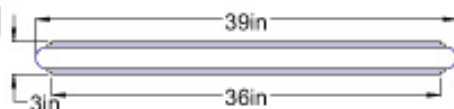
PC8-18



PC8-27

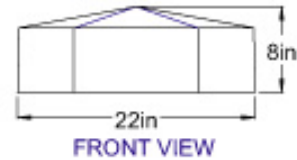


PC8-36



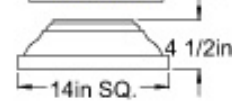
PC9-22

PLAN VIEW

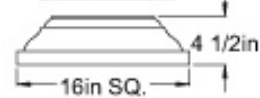


FRONT VIEW

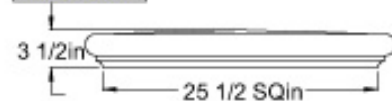
PC10-14



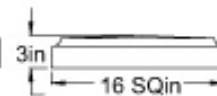
PC10-16



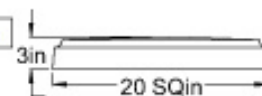
PC11-25



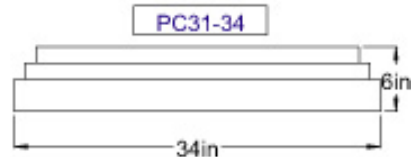
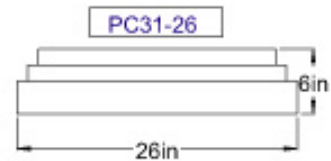
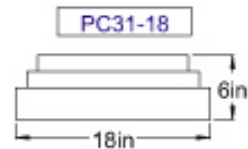
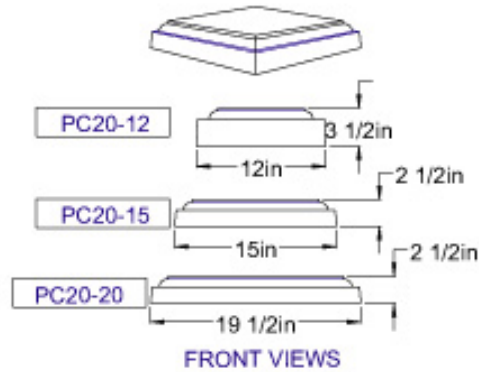
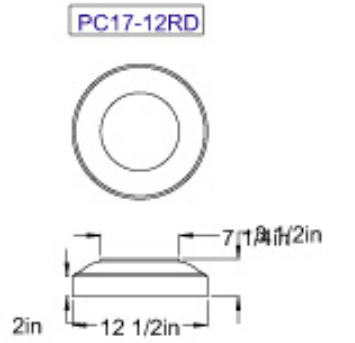
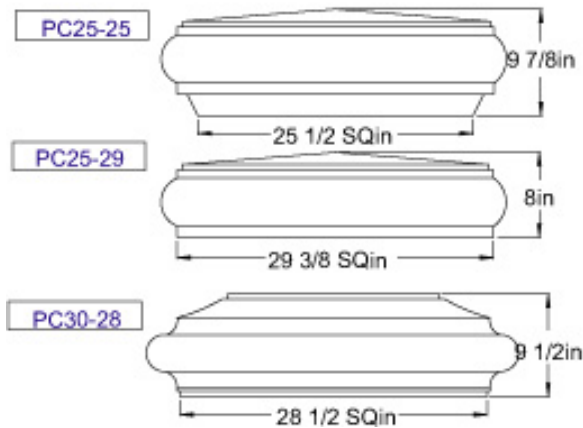
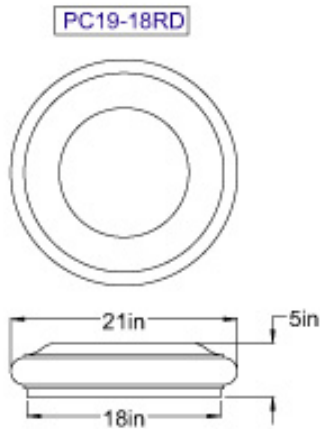
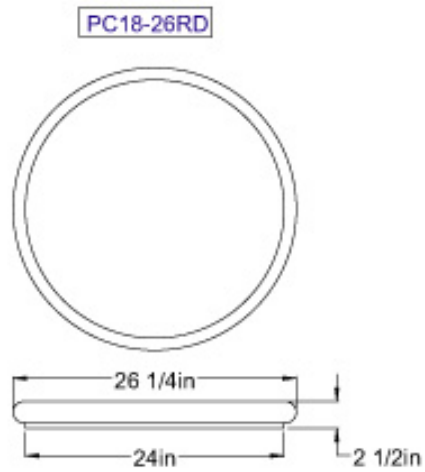
PC16-16



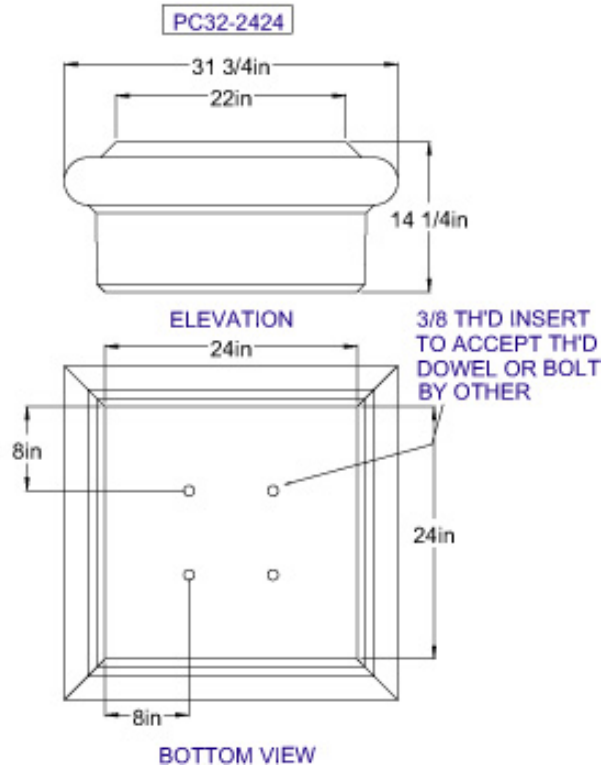
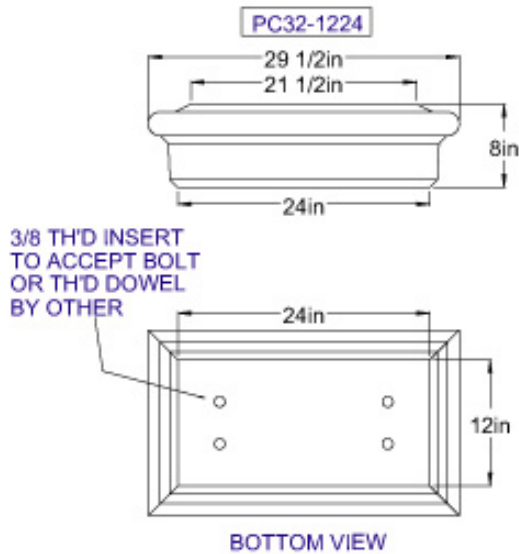
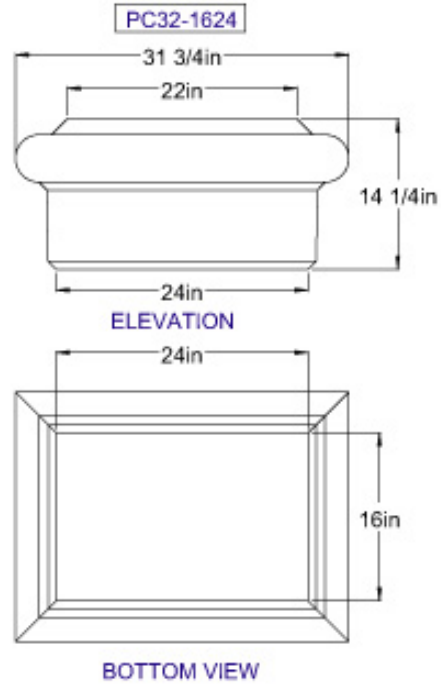
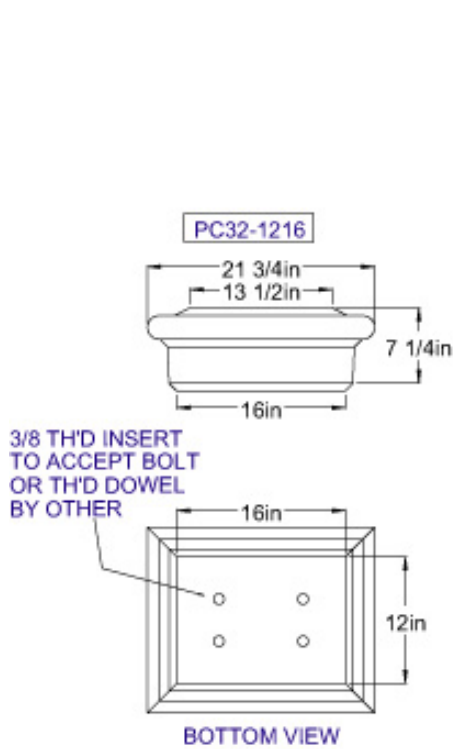
PC16-20



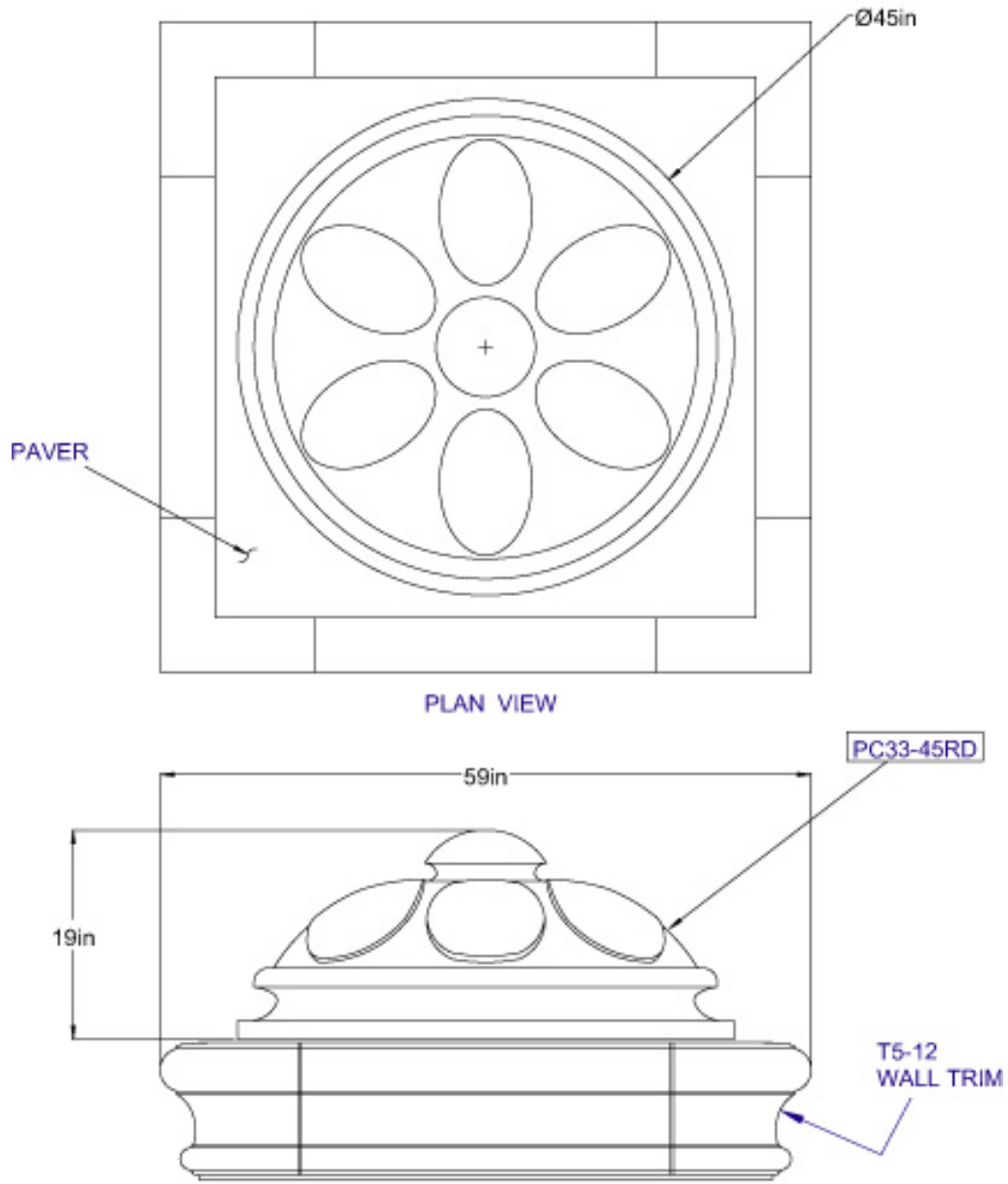
PILASTER CAPS



PILASTER CAPS



PILASTER CAPS



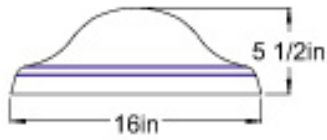
PLAN VIEW

ELEVATION VIEW

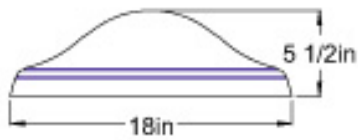
4 - 7

PILASTER CAPS

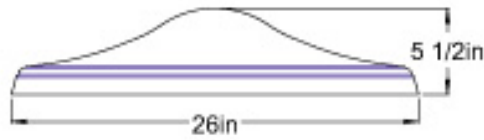
PC48-16



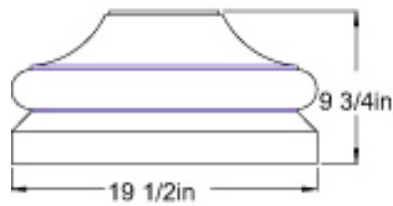
PC48-18



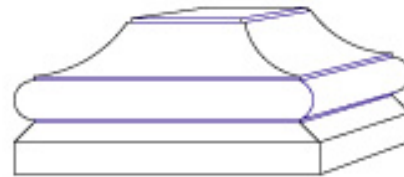
PC48-26



PC60-20



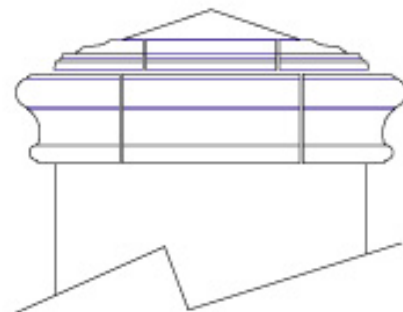
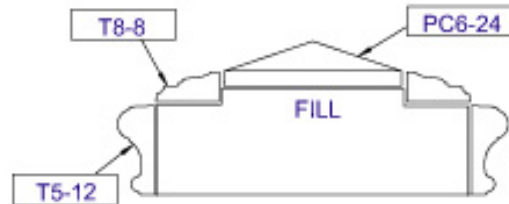
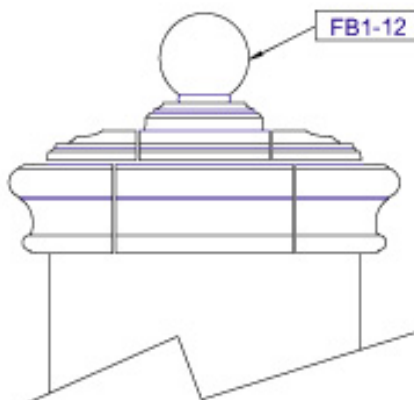
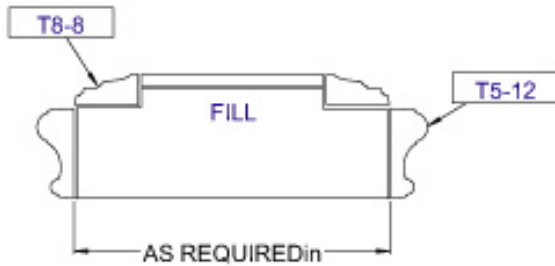
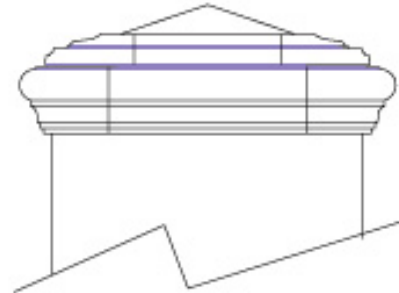
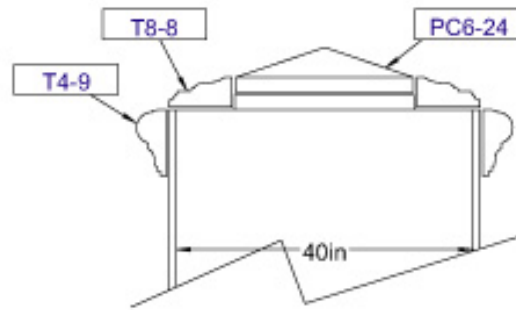
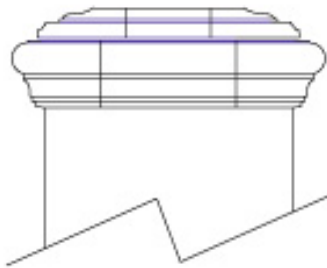
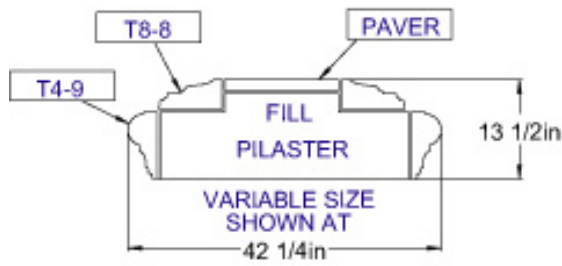
PILASTER CAP
 ILLUSTRATION



R. C. CONSTRUCTION

4 - 8

PILASTER CAP ASSEMBLIES



**PILASTER CAPS
AND ILLUSTRATION**

